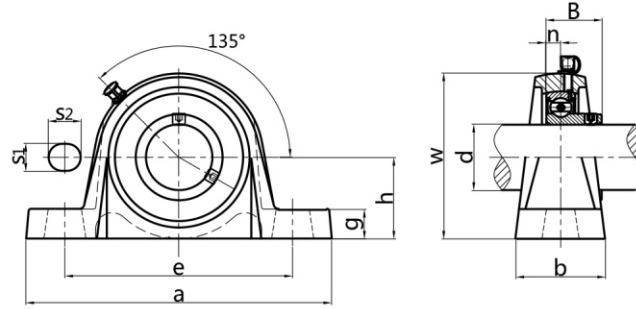


FJ-SBPE2



Unit NO.	Dimensions (mm / in.)											Bolt Size mm/in.	Bearing No.	Housing No.	Weight (kg)
	d	h	a	e	b	s1	s2	g	w	B	n				
FJ-SBPE204G	20	33.3	127	95	38	13	19	14	65	25.0	7.0	M10	FJ-SB204G	FJ-PE204G	0.64
204-12	3/4	1-5/16	5	3-3/4	1-1/2	1/2	3/4	9/16	2-9/16	0.9843	0.276	3/8	FJ-SB204-12G		0.64
FJ-SBPE205G	25	36.5	140	105	38	13	19	15	71	27	7.5	M10	FJ-SB205G	FJ-PE205G	0.79
205-13	13/16	1-7/16	5-1/2	4-1/8	1-1/2	1/2	3/4	19/32	2-25/32	1.063	0.295	3/8	FJ-SB205-13G		0.82
205-14	7/8												FJ-SB205-14G		0.81
205-15	15/16												FJ-SB205-15G		0.80
205-16	1												FJ-SB205-16G		0.78
FJ-SBPE206G	30	42.9	160	121	44	17	20	17	84	30	8.0	M14	FJ-SB206G	FJ-PE206G	1.18
206-17	1-1/16	1-11/16	6-19/64	4-3/4	1-47/64	43/64	25/32	43/64	3-5/16	1.1811	0.315	1/2	FJ-SB206-17G		1.21
206-18	1-1/8												FJ-SB206-18G		1.19
206-19	1-3/16												FJ-SB206-19G		1.18
206-20	1-1/4												FJ-SB206-20G		1.16
FJ-SBPE207G	35	47.6	167	127	48	17	20	18	93	32	8.5	M14	FJ-SB207G	FJ-PE207G	1.48
207-20	1-1/4	1-7/8	6-9/16	5	1-7/8	43/64	25/32	45/64	3-21/32	1.2598	0.335	1/2	FJ-SB207-20G		1.52
207-21	1-5/16												FJ-SB207-21G		1.50
207-22	1-3/8												FJ-SB207-22G		1.48
207-23	1-7/16												FJ-SB207-23G		1.46
FJ-SBPE208G	40	49.2	184	137	54	17	20	18	100	34	9.0	M14	FJ-SB208G	FJ-PE208G	1.84
208-24	1-1/2	1-15/16	7-1/4	5-13/32	2-1/8	43/64	25/32	45/64	3-15/16	1.3386	0.354	3/8	FJ-SB208-24G		1.87
208-25	1-9/16												FJ-SB208-25G		1.85
FJ-SBPE209G	45	54.0	190	146	54	17	20	20	106	41.2	10.2	M14	FJ-SB209G	FJ-PE209G	2.13
209-26	1-5/8	2-1/8	7-15/32	5-3/4	2-1/8	43/64	25/32	25/32	4-11/64	1.622	0.402	3/8	FJ-SB209-26G		2.21
209-27	1-11/16												FJ-SB209-27G		2.17
209-28	1-3/4												FJ-SB209-28G		2.14
FJ-SBPE210G	50	57.2	206	159	60	20	23	21	113	43.5	10.9	M16	FJ-SB210G	FJ-PE210G	2.63
210-29	1-13/16	2-1/4	8-1/8	6-1/4	2-3/8	25/32	29/32	53/64	4-29/64	1.7126	0.429	5/8	FJ-SB210-29G		2.73
210-30	1-7/8												FJ-SB210-30G		2.69
210-31	1-15/16												FJ-SB210-31G		2.65
210-32	2												FJ-SB210-32G		2.61
FJ-SBPE211G	55	63.5	219	171	60	20	23	23	125	45.3	11.8	M16	FJ-SB211G	FJ-PE211G	3.20
211-32	2	2-1/2	8-5/8	6-47/64	2-3/8	25/32	29/32	29/32	4-59/64	1.7835	0.465	5/8	FJ-SB211-32G		3.32
211-33	2-1/16												FJ-SB211-33G		3.28
211-34	2-1/8												FJ-SB211-34G		3.23
211-35	2-3/16												FJ-SB211-35G		3.18
FJ-SBPE212G	60	69.8	241	184	70	20	23	25	138	53.7	14.9	M16	FJ-SB212G	FJ-PE212G	4.41
212-36	2-1/4	2-3/4	9-1/2	7-1/4	2-3/4	25/32	29/32	63/64	5-7/16	2.1142	0.587	5/8	FJ-SB212-36G		4.52
212-37	2-5/16												FJ-SB212-37G		4.46
212-38	2-3/8												FJ-SB212-38G		4.40
212-39	2-7/16												FJ-SB212-39G		4.34